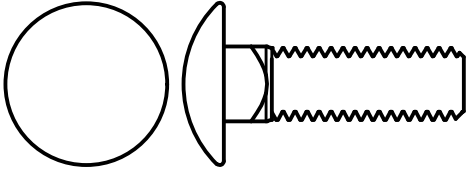
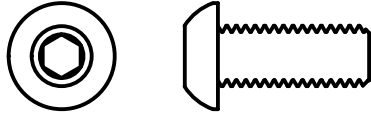
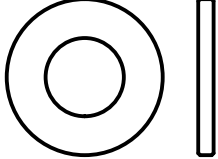



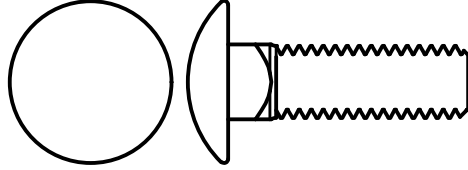
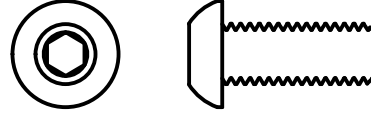
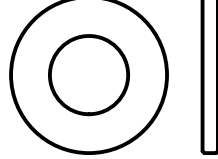

STEERING BOX BRACE

510 / 1600

<p>ITEM 1 CARRIAGE BOLT GRADE 5, 3/8-16 x 1.25" QTY: 3 PER ASM</p> 	<p>ITEM 2 SHCS M8/-1.25 x 20mm, ALLOY QTY: 3 PER ASM</p> 	<p>ITEM 3 WASHER 3/8, GRADE 5, SAE QTY: 6 PER ASM</p> 	<p>ITEM 4 NYLON LOCK NUT 3/8-16, GRADE 5 QTY: 3 PER ASM</p> 
---	--	---	---

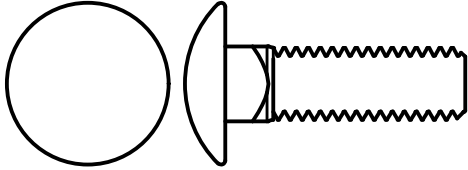
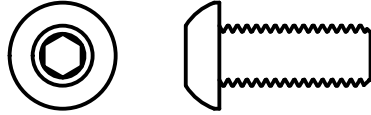
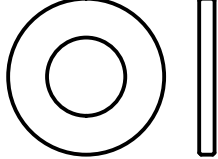

STEERING BOX BRACE

510 / 1600

<p>ITEM 1 CARRIAGE BOLT GRADE 5, 3/8-16 x 1.25" QTY: 3 PER ASM</p> 	<p>ITEM 2 SHCS M8/-1.25 x 20mm, ALLOY QTY: 3 PER ASM</p> 	<p>ITEM 3 WASHER 3/8, GRADE 5, SAE QTY: 6 PER ASM</p> 	<p>ITEM 4 NYLON LOCK NUT 3/8-16, GRADE 5 QTY: 3 PER ASM</p> 
---	--	---	---

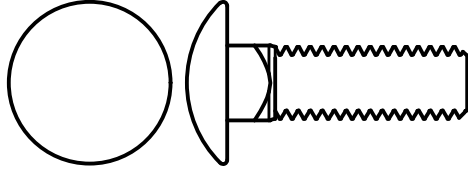
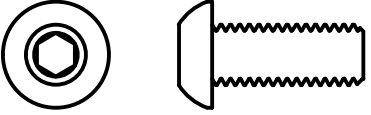
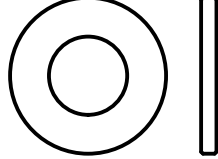

STEERING BOX BRACE

510 / 1600

<p>ITEM 1 CARRIAGE BOLT GRADE 5, 3/8-16 x 1.25" QTY: 3 PER ASM</p> 	<p>ITEM 2 SHCS M8/-1.25 x 20mm, ALLOY QTY: 3 PER ASM</p> 	<p>ITEM 3 WASHER 3/8, GRADE 5, SAE QTY: 6 PER ASM</p> 	<p>ITEM 4 NYLON LOCK NUT 3/8-16, GRADE 5 QTY: 3 PER ASM</p> 
---	--	---	---

STEERING BOX BRACE

510 / 1600

<p>ITEM 1 CARRIAGE BOLT GRADE 5, 3/8-16 x 1.25" QTY: 3 PER ASM</p> 	<p>ITEM 2 SHCS M8/-1.25 x 20mm, ALLOY QTY: 3 PER ASM</p> 	<p>ITEM 3 WASHER 3/8, GRADE 5, SAE QTY: 6 PER ASM</p> 	<p>ITEM 4 NYLON LOCK NUT 3/8-16, GRADE 5 QTY: 3 PER ASM</p> 
---	--	---	---